

# VON DUPRIN®

## Installation Instructions

### **GUARD-X** Exit Alarm Lock PC Board Replacement Kit



#### IMPORTANT

When installing new PC board and re-assembling device, be sure to install all screws into the holes they were removed from.

- 1 If using PT790 Plug-in Transformer Option, unplug transformer from AC outlet.
- 2 Remove center case cover (Figure 1).

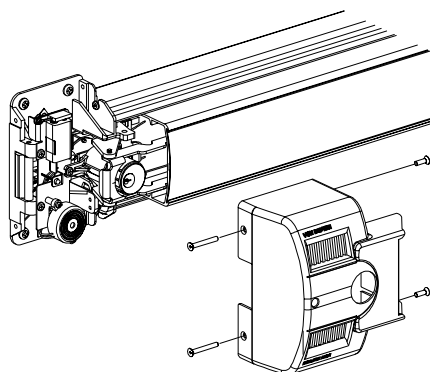
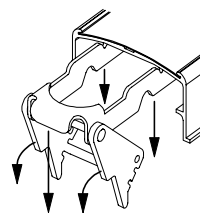


Figure 1



#### WARNING

Pinch points. Can cause injury if pushpad pressed with center case cover removed. Keep clear.



- 3 Remove 9 V battery (Figure 2). If using PT790 Plug-in Transformer Option, disconnect transformer cable from PC board (Figure 3).

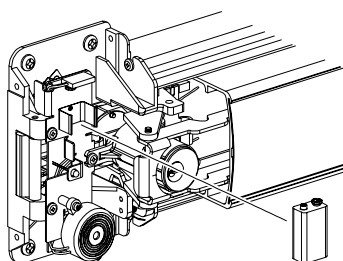


Figure 2

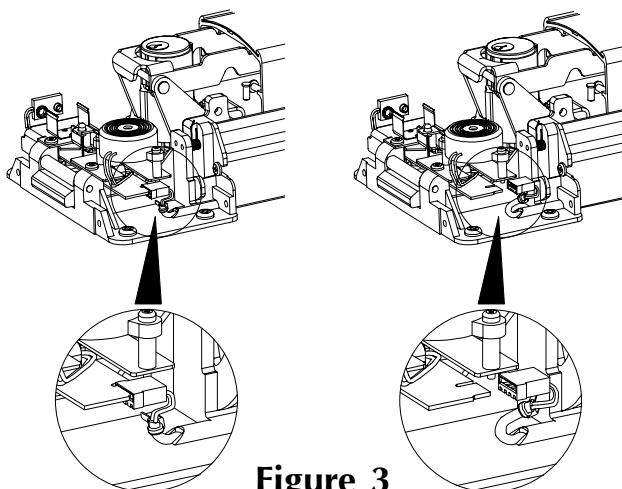


Figure 3

4 Remove cylinder bracket (Figure 4).

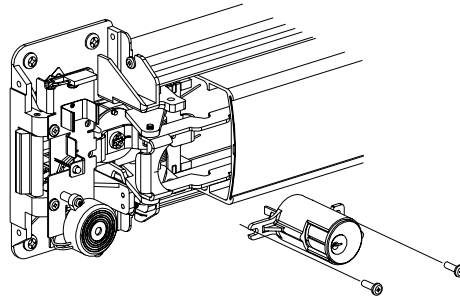


Figure 4

5 Remove PC board (Figure 5). If switching link comes loose, replace as shown in Figure 6.

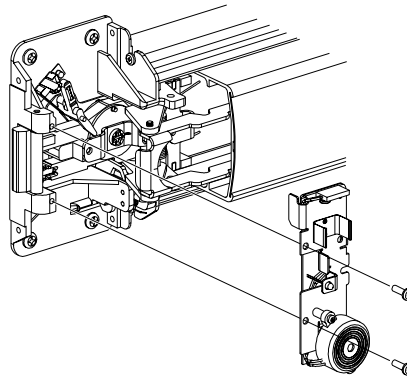


Figure 5

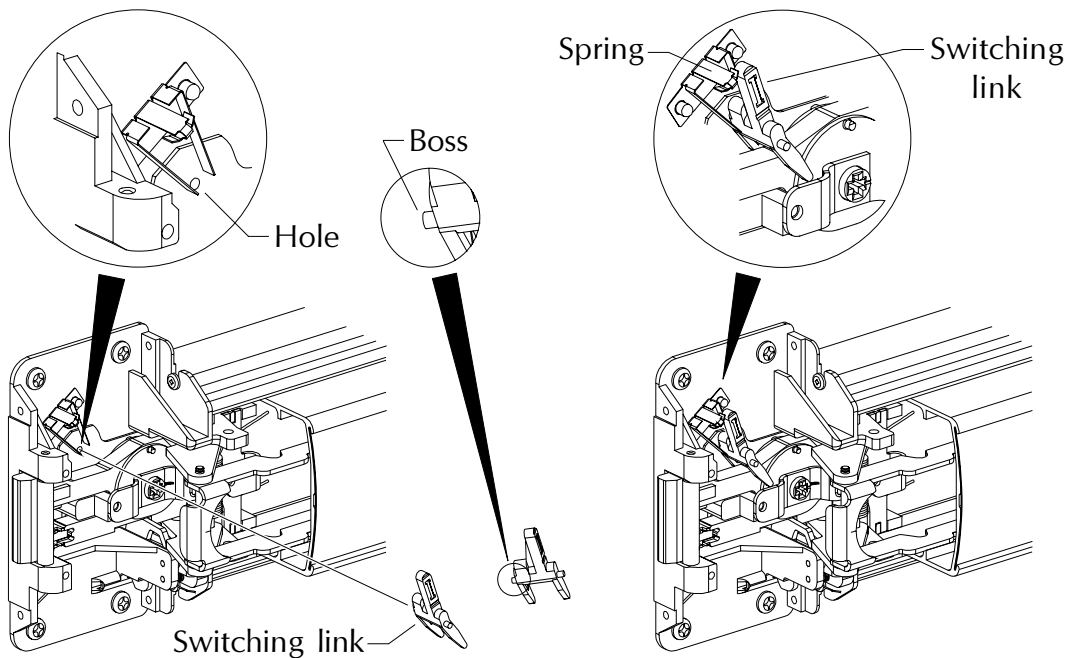


Figure 6. Boss on bottom of switching link fits into hole. Switching link aligns with spring as shown.

- 6 Install new PC board (Figure 7). Hole in bottom of PC board fits over boss on switching link.

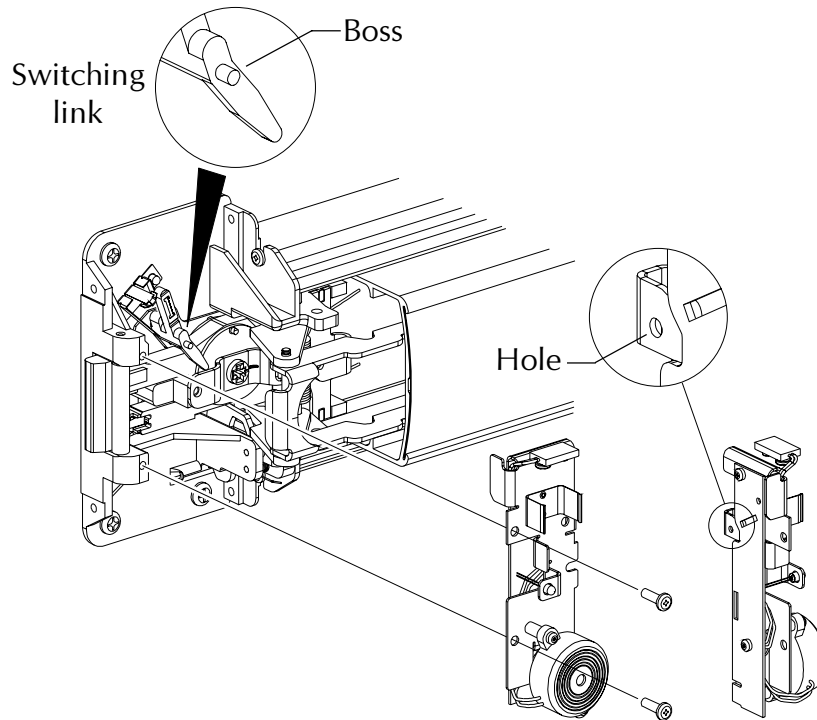


Figure 7

- 7 Use Phillips screwdriver to rotate cross slots inside center case so marks align (Figure 8). Install cylinder bracket, making sure cylinder tailpiece engages slot in center case (Figure 9). The cylinder bracket screws are different. Be sure to install the screws as shown in Figure 9.

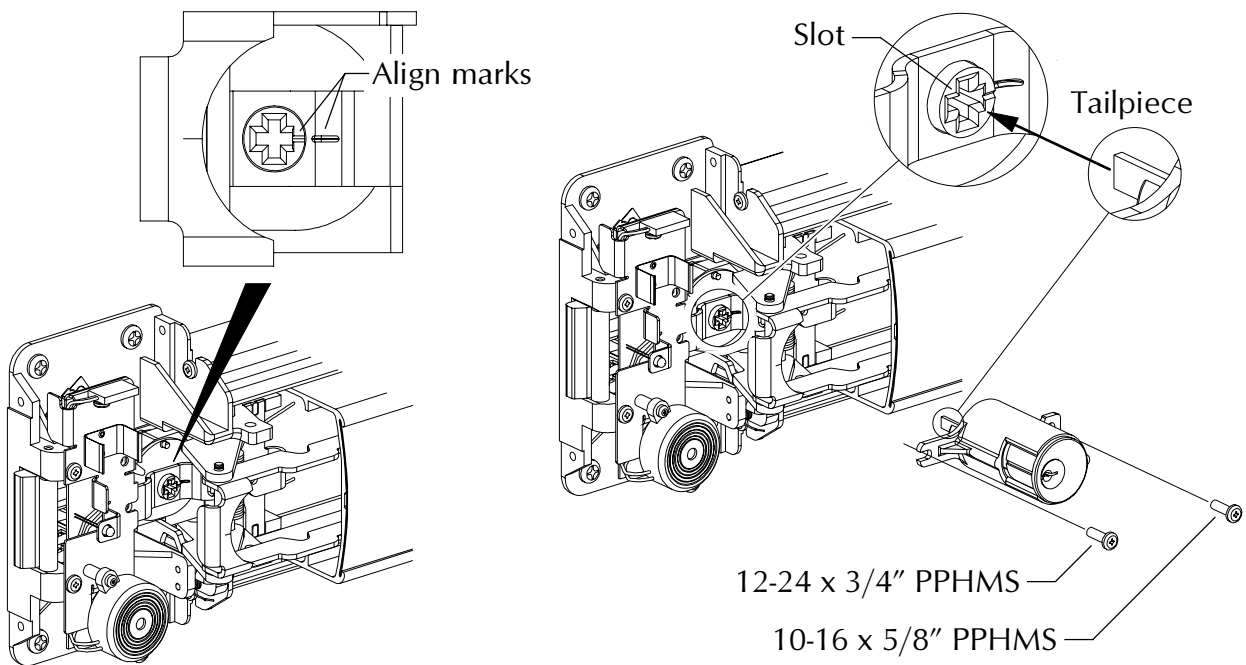
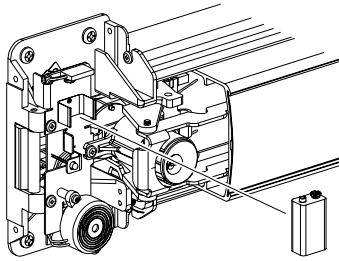


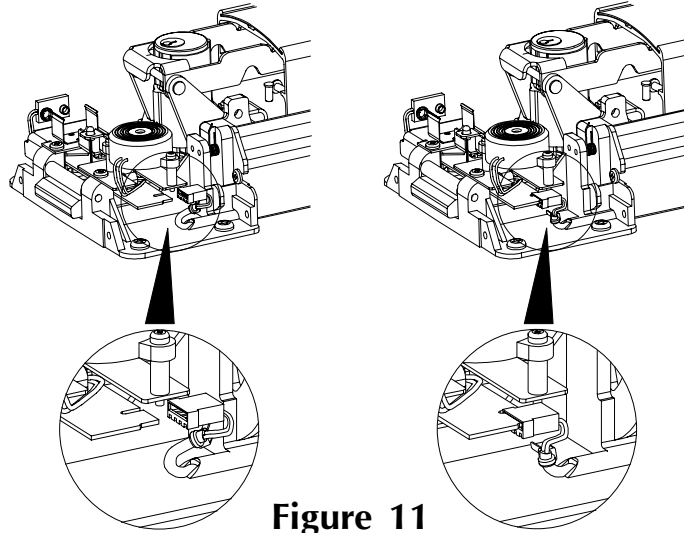
Figure 8

Figure 9

- 8** Install 9 V battery and attach battery clip to battery (Figure 10). If using PT790 Plug-in Transformer Option, connect transformer cable (Figure 11).

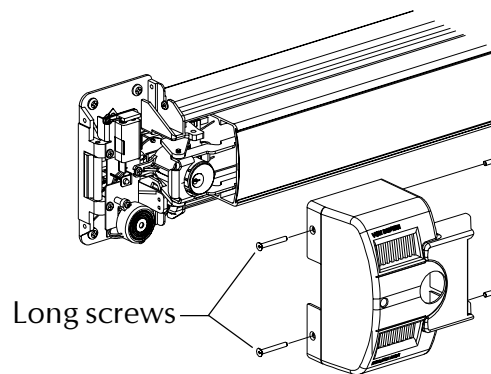


**Figure 10**



**Figure 11**

- 9** Install center case cover (Figure 12). Use long screws where shown for tamper resistance.



**Figure 12**

- 10** If using PT790 Plug-in Transformer Option, plug transformer into AC outlet.

- 11** Test device as described below. If device fails any step, check switching link position (see Step 5), cross slot alignment (see Step 7), and battery installation (see Step 8).

- A.** Close door and turn cylinder key 360 degrees clockwise. Dead bolt will extend and red light on device will blink every 16 seconds indicating that device is armed.
- B.** Press pushpad to open door. Alarm will sound.
- C.** Close door. Turn cylinder key 360 degrees clockwise. Dead bolt will extend, alarm will stop, and red light on device will blink every 16 seconds indicating that device is armed.
- D.** Turn cylinder key 360 degrees counterclockwise to retract dead bolt. Red light on device will stop blinking indicating that device is not armed.
- E.** Press pushpad to open door. Alarm will not sound.