

6400 Series

Modular Strike for Mortise & Cylindrical Locksets



Overview

The 6400 electric door strike from Von Duprin is designed to be modular and highly configurable to fit nearly any mortise or cylindrical lock. This versatile strike allows the installer to insert and lock-in the deadbolt keeper or plug and deadlatch ramp anywhere within its 3 1/8" vertical opening to fit the latch position and functional needs. This, combined with a 1/8" horizontal adjustment, makes this easy-to-install design a good fit for installations where misalignment or a tight fit may be a problem.

Use it as a time-saving, "go to" strike. The 6400 comes ready for use with prewired plug-in connectors for 12 or 24 VDC voltage that can be changed over to 12 or 24 VAC without a converter kit, two faceplates—one each for offset and centerline locks as well as a trim filler plate, mounting tabs and shims and a self-adhesive template for frame cuts. An optional "plug in" latchbolt monitor is also available and can be added in the field at any time after installation.

Features & Benefits

- Modular design fits cylindrical and nearly any mortise lock
- Heavy-duty stainless steel construction in BHMA 630 satin finish
- Vertical adjustments allow for alignment with a wide variety of mortise locks with offset latches
- Horizontal adjustment of up to 1/8" improves fit on tight door preps
- Can accommodate up to 1" deadbolt (for night latch only)
- Field selectable voltage 12 or 24VDC and 12 to 24VAC
- Plug-in voltage connectors are included for ease of installation and removal during strike servicing
- Optional plug-in latchbolt monitor can be added in the field
- Non-handed, unique internal solenoid design prevents keeper from heating up
- Low current draw (0.19 amps @ 24 VDC)
- 3-hour fire-rated to UL 10C (fail secure only)
- UL 1034 listed for burglary-resistant electric door strikes
- UL 294 listed for access control system
- Static strength: 1500 lbs
- Dynamic strength: 70 ft-lbs

Lockset Compatibility

Vertical adjustment of the deadbolt keeper or deadlatch ramp allows for alignment with a wide variety of mortise locks with offset latches. Accommodates up to 1" deadbolt*. Up to 1/8" horizontal adjustment for misaligned frames.

* Night-latch function only, bolt will not release

Wiring Instructions

Use the appropriate wire harness supplied.

- 12V for 12VDC and 12-24VAC
- 24 for 24VDC only

Attach the red wire to (+) positive of the power supply. Attach the black wire to the (-) negative of the power supply. If using AC power, polarity is not observed.

Note: If a suppression diode is required for access control, observe proper polarity.

Latch monitor wires

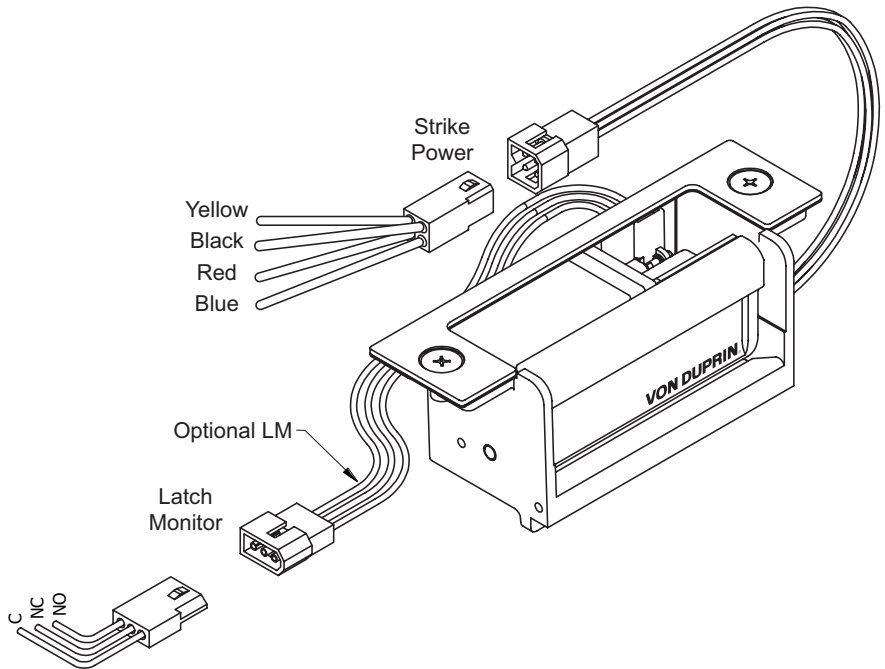
- Black = Common (C)
- Blue = Normal Close (NC)
- Orange = Normal Open (NO)

6400 Series Power Requirements

Model	Mode	Voltage	Duty	Sound	Amps ¹	Ohms ²
6400	Fail-locked	12 VDC	Continuous	Silent	.375	37
6400	Fail-locked	24 VDC	Continuous	Silent	.190	148
6400	Fail-locked	12-24 VAC	Intermittent	Buzz	.280 - .565	37

Intermittent duty = Energized less than 1 min. with duty ratio 1:5; Continuous duty = Energized 1 min. or more.

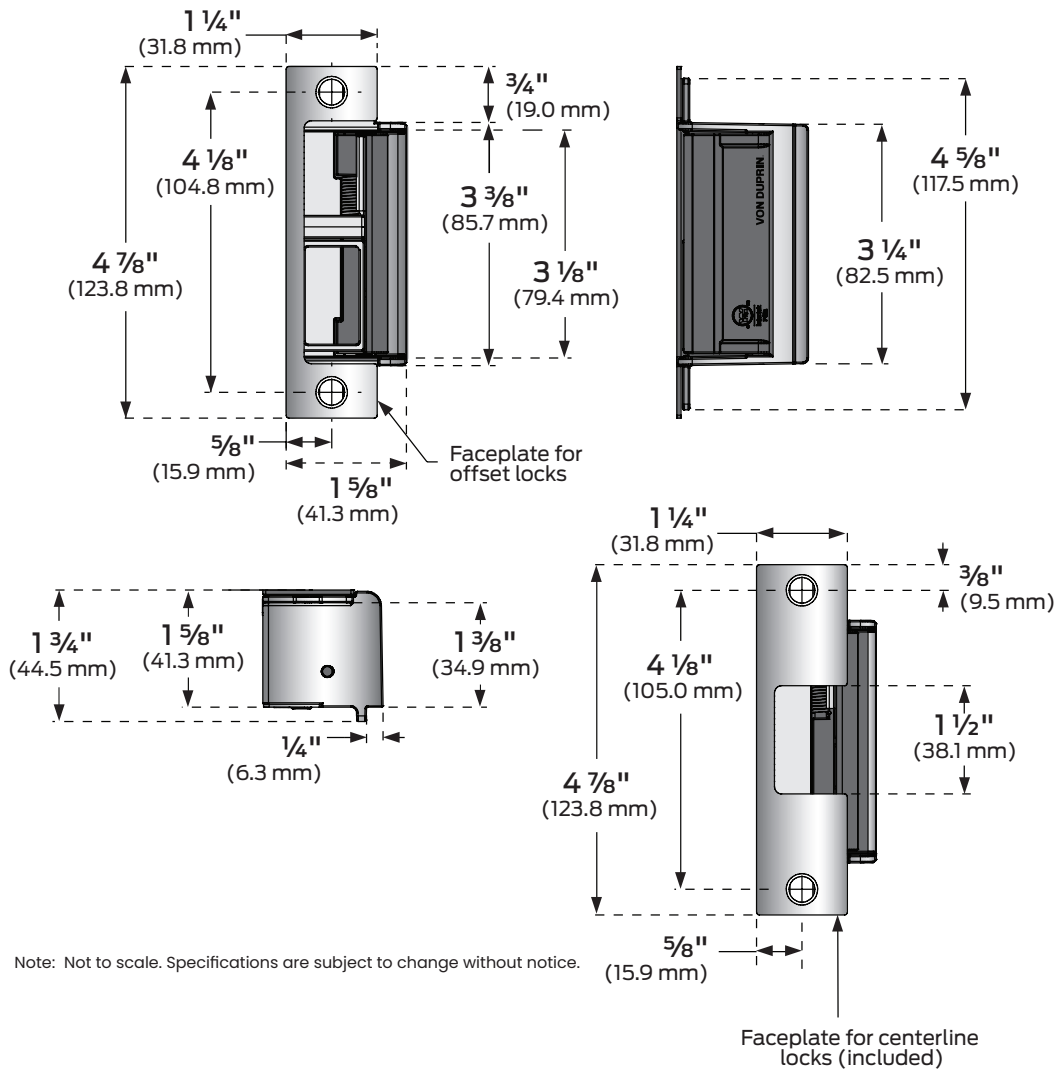
1. Ratings are based on maximum current draw at +10°C and include initial power-up current draw.
2. Nominal resistance at +25°C +/- 7% tolerance.



Model Specifications

Model number	6400
Latchbolt throw	3/4" (Also accomodates 1" deadbolt as a nightlatch only - no release)
Face plate length	4-7/8" (Includes two face plates: Centerline and Off-set latch entries)
Backbox depth	1-3/4"
Finish	US 32D/BHMA 630
Lockset	Cylindrical, mortise, mortise exit
Number of doors	Single
Door/frame type	Hollow metal, aluminum & wood
Options	2 Rectifier kits: <ul style="list-style-type: none"> • S012 Converts 12 VAC voltage to 12 VDC to operate the solenoid • S024 Converts 24 VAC voltage to 24 VDC to operate the solenoid EB (Entry Buzzer)
Certifications/ Listings	ANSI/BHMA A156.31 Grade 1, 3-hour fire rated to UL 10C (FSE only), UL 1034, UL 294, CSFM
Application notes	Modular electric strike ideal for aftermarket applications. Fail-secure only for fire-rated openings.

Dimensions



Ordering Information

6400 - S024 - EB



* Optional

Selections correspond with the numbers above.

1	Model
6400	Modular Strike
2	Rectifier Kit (optional)
	S012 Converts 12 VAC voltage to 12 VDC to operate the solenoid
	S024 Converts 24 VAC voltage to 24 VDC to operate the solenoid
3	Buzzer (optional)
EB	Entry buzzer

Accessories

- LM6400 Latchbolt monitor—indicates when door is latched (ships separately)

Standard Features

- Power failure mode: Fail-secure only (FSE)
- Voltage: Field selectable 12 or 24 VDC and 12 or 24 VAC voltage
- Finish: Stainless steel, satin (BHMA 630/US 32D)
- Centerline and offset face plates included
- Also includes: two plug-in voltage connectors, self-adhesive template for frame cuts, trim filler plate, mounting tabs and shims, as well as tamper-resistant screws with a security driver bit